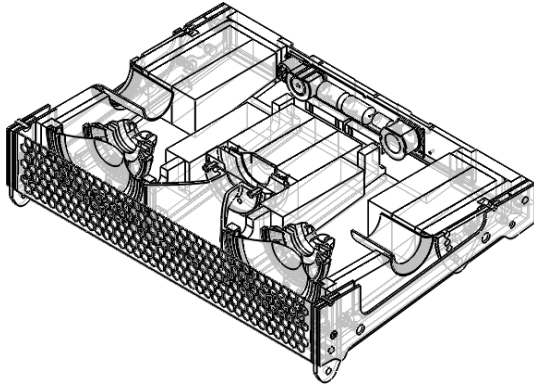


WestLab Audio



Product Data

2 x 6,5" / 1" 2-way Hybrid Array

Series: LABLINE

Model: LABLINE 2.6.5p (passive)

Dimensions H 207 x W 540 x D 370 mm

! H = pin to pin !

Local Box H 315 x W 560 x D 390 mm

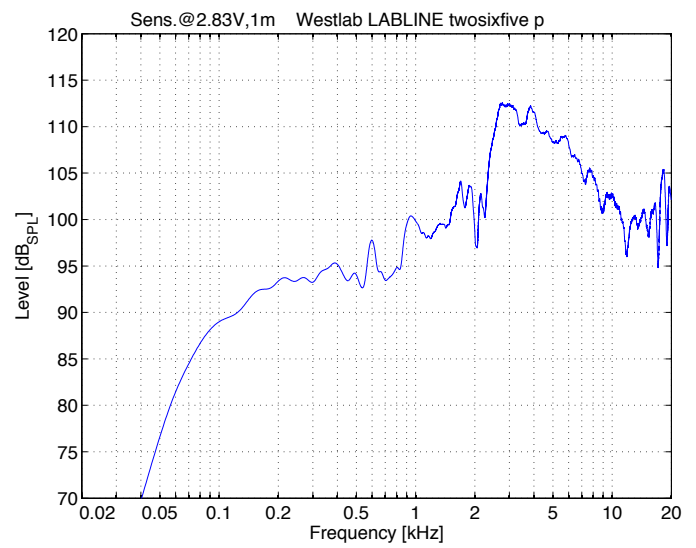
Export Box H 385 x W 615 x D 445 mm

Net weight 18 kg

Export boxed 21 kg

Power Handling (RMS/Program/Peak)	260 / 1000 W
Nominal Impedance	8 Ohm
Sensitivity (1W/1m)	106 dB
Max SPL (peak)	126 dB linear / 132 dB peak
Frequency Range (-6 dB)	77 Hz - 20 kHz
Crossover Frequency	1,25 kHz
Directivity (horizontal x vertical)	90° x 40°
Low Frequency Driver Chassis type	2 x Cone driver, port loaded
Low Frequency Driver Magnet	Neodymium
Low Frequency Driver Chassis diameter	6,5" / 162 mm
Low Frequency Driver Voicecoil diameter	1,5" / 38 mm
High Frequency Driver Chassis type	hornloaded ringradiator compression driver
High Frequency Driver Magnet	Ceramic
High Frequency Driver Chassis diameter	1" / 25,4 mm
High Frequency Driver Voicecoil diameter	1,75" / 44,4 mm

Frequency response LL 2.6.5p



Horizontal Isobars LL 2.6.5p

