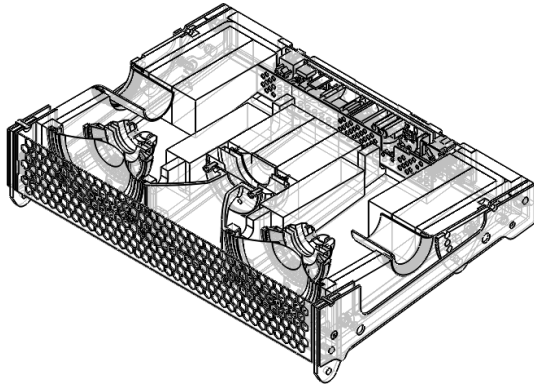


WestLab Audio



Product Data

2 x 6,5" / 1" 2-way Hybrid Array

Series: LABLINE
Model: LABLINE 2.6.5 (full active)

Dimensions H 207 x W 540 x D 370 mm

! H = pin to pin !

Local Box H 315 x W 560 x D 390 mm

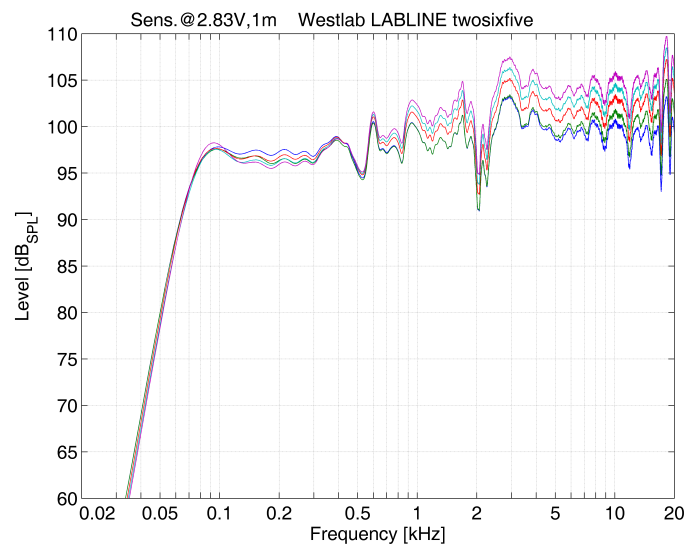
Export Box H 385 x W 615 x D 445 mm

Net weight 18,5 kg

Export boxed 21,5 kg

Total System Power (RMS/Peak)	750/1150 W
Max SPL (program)	127 dB
Max SPL (peak)	133 dB
Crossover Type	Digital IIR Filter (Internal 5 Presets)
Frequency Range (-6 dB)	70 Hz - 20 kHz
Crossover Frequency	1,15 kHz
Directivity (horizontal x vertical)	90° x 40°
Low Frequency Driver Chassis type	2 x Cone driver, port loaded
Low Frequency Driver Magnet	Neodymium
Low Frequency Driver Chassis diameter	6,5" / 162 mm
Low Frequency Driver Voicecoil diameter	2" / 50,8 mm
Mid Frequency Driver Chassis type	hornloaded planar wave compression driver
Mid Frequency Driver Magnet	Neodymium
Mid Frequency Driver Chassis diameter	8 x 3/4" / 215,6 x 19 mm
Mid Frequency Driver Voicecoil diameter	1,5" / 38 mm
High Frequency Driver Chassis type	hornloaded ringradiator compression driver
High Frequency Driver Magnet	Ceramic
High Frequency Driver Chassis diameter	1" / 25,4 mm
High Frequency Driver Voicecoil diameter	1,75" / 44,4 mm

Frequency response LL 2.6.5



Horizontal Isobars LL 2.6.5

