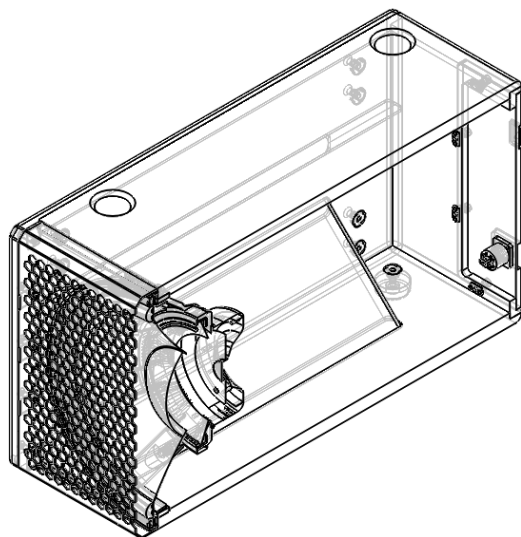


# WestLab Audio



## Product Data

12" Sub

Series: LABSUB

Model: LABSUB 12p (passive)

Dimensions H 335 x W 400 x D 600 mm

Local Box H 350 x W 435 x D 615 mm

Export Box H 410 x W 515 x D 660 mm

Net weight 20,5 kg

Export boxed 24,5 kg

Power Handling (RMS/Program/Peak)

600/1000/2000 W

Nominal Impedance

8 Ohm

Sensitivity (1W/1m)

96 dB

Max SPL (peak)

128 dB

Frequency Range

30 Hz - 120 Hz

Free Field Frequency Response

43 Hz - 150 Hz

reg. Crossover Frequency

110 Hz

Directivity

Omnidirectional

Cardioid / Hypercardioid in Clusters

driven with Labcon MK2

Low Frequency Driver Chassis type

Cone driver, port loaded

Low Frequency Driver Magnet

Neodymium

Low Frequency Driver Chassis diameter

12" / 318 mm

Low Frequency Driver Voicecoil diameter

3" / 77 mm